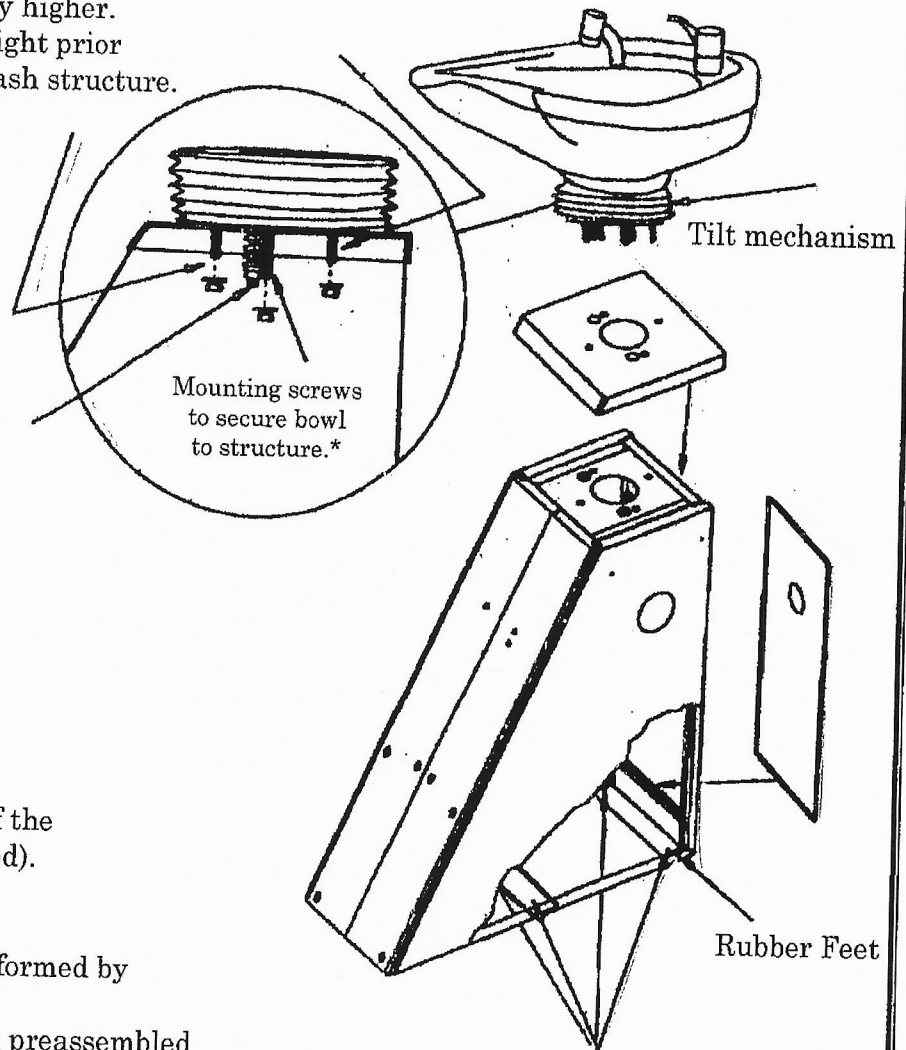


5274 BACKWASH BOWL MOUNTING INSTRUCTIONS

Adjustable set screws to regulate the amount of tilt desired.

The set screws can also be set so that the bowl is immobilized. Do this by setting both screws all the way up so that they will not go any higher.

Note: establish desired height prior to securing bowl to backwash structure.



Tension Spring-preset at factory, do not adjust.

*Use two spacers on each of the two mounting bolts (supplied).

Please Note:

- Installation to be performed by Licensed plumber.
- some parts have been preassembled

Holes for mounting structure to the ground

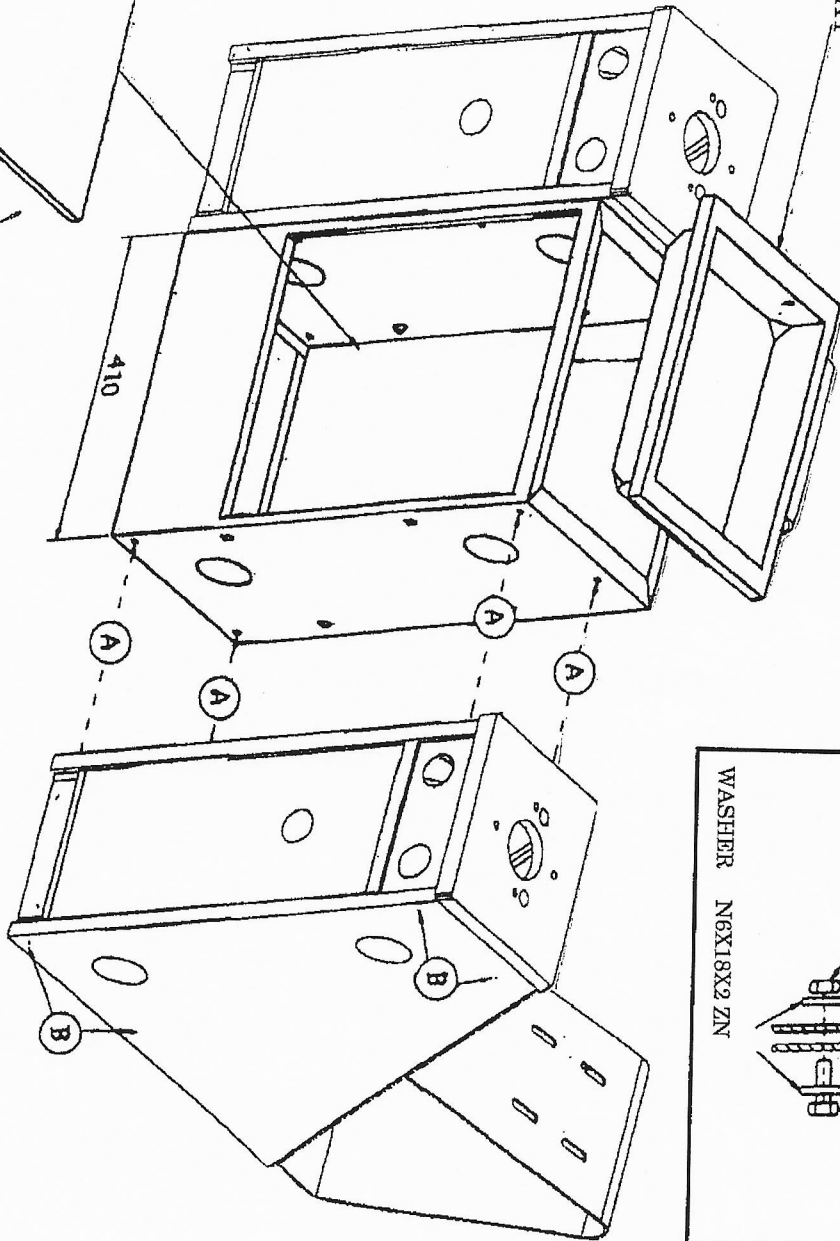
5274 KEY FEATURES

1. Backwash with chair
2. Main structure zinc plated metal painted black
3. Tilting bowl
4. Italian ceramic bowl in white or black
5. Italian made faucet
6. Armrest polyurethane
7. Vinyl available in 35 colors
8. Easy to install
9. All Italian or U.S.A components

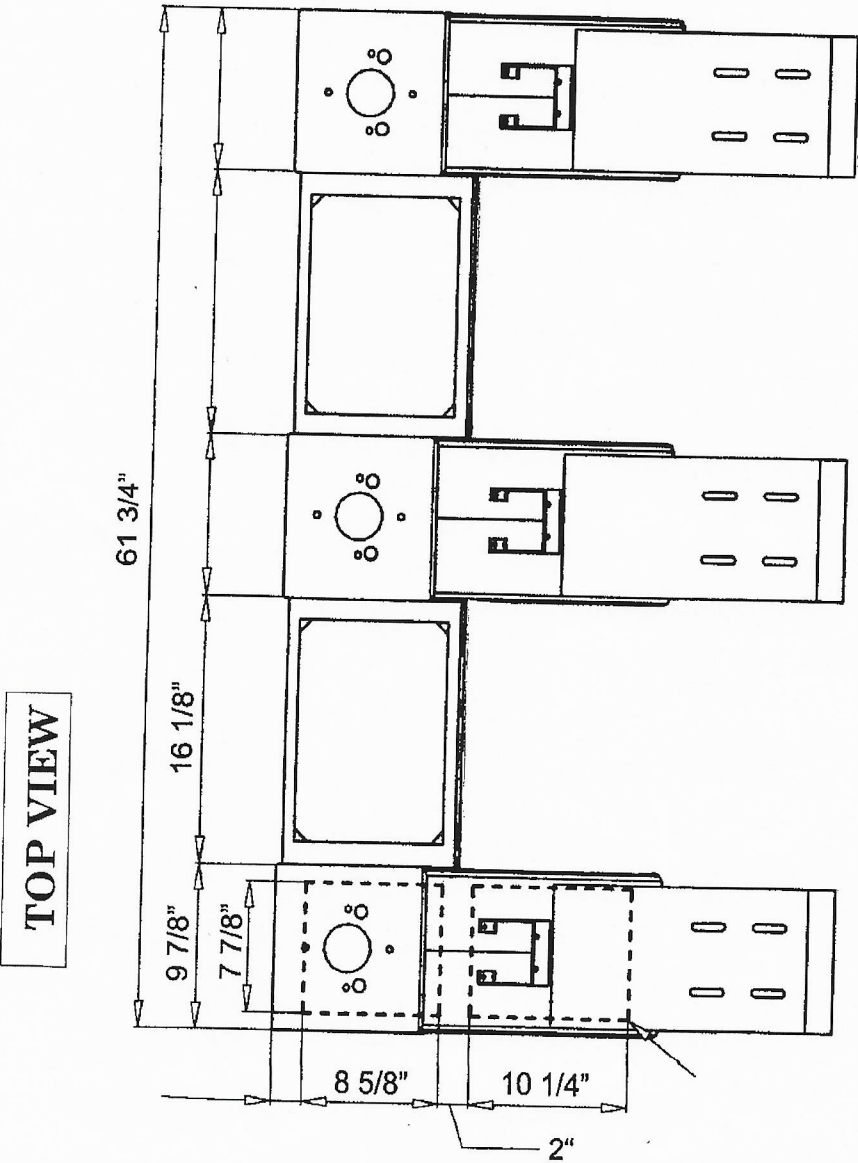
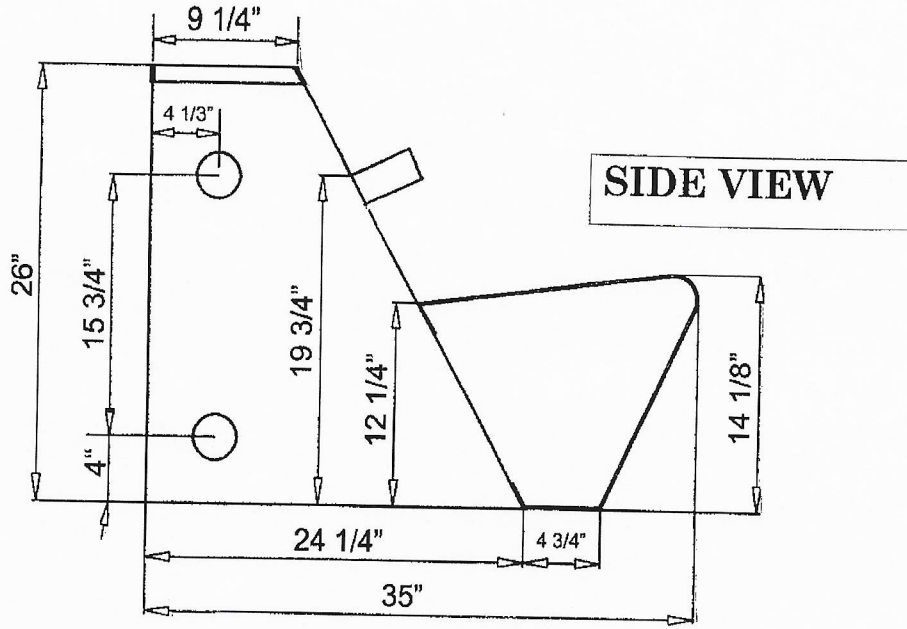
Pibbs Industries 133-15 32nd Avenue, Flushing, NY 11354
Tel. (718)445-8046 (800)551-5020 Fax (718)461-3910
Be sure to visit us on the Internet at www.pibbs.com

REMOVABLE TRAY

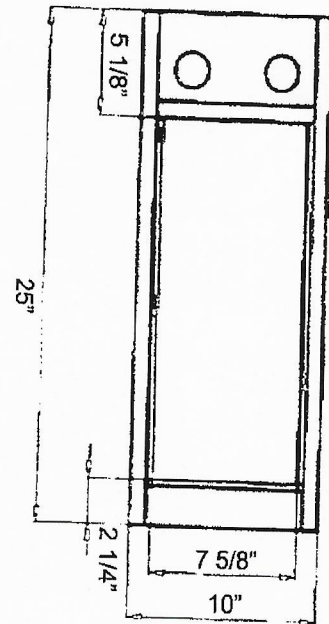
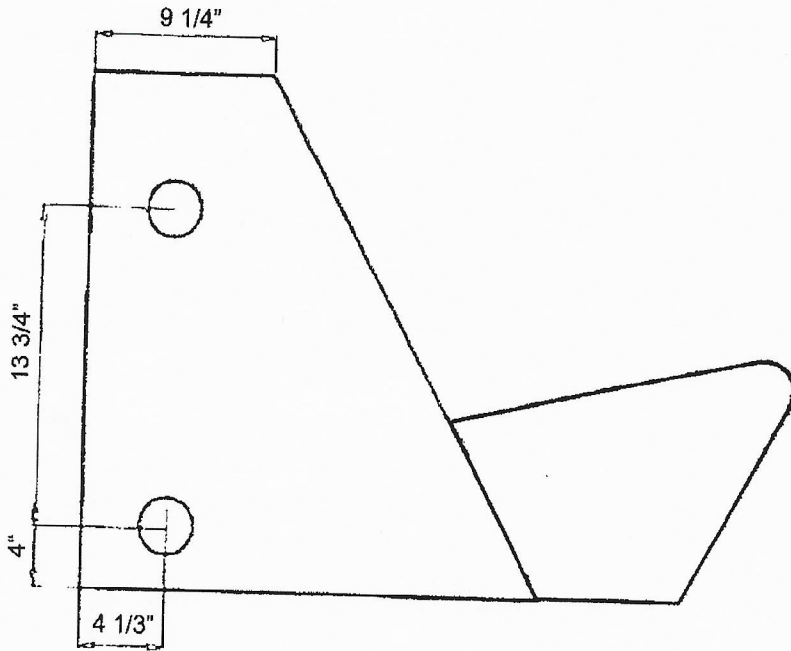
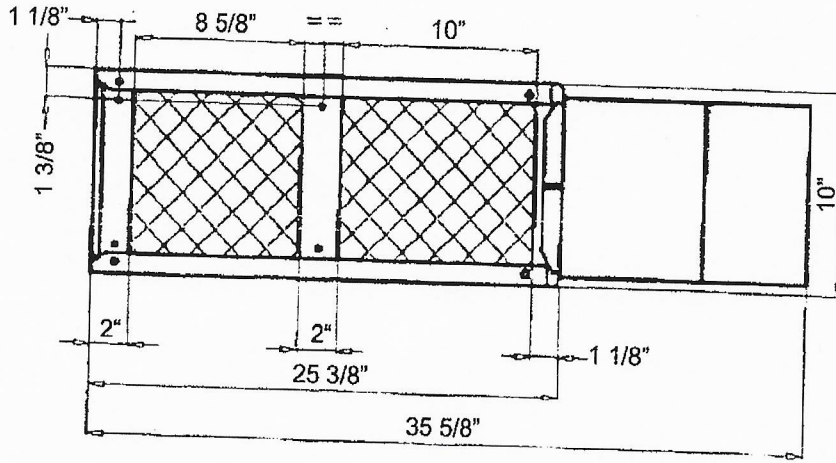
TRAYS FOR THE CONNECTING CABINETS



B PREMARK HOLES

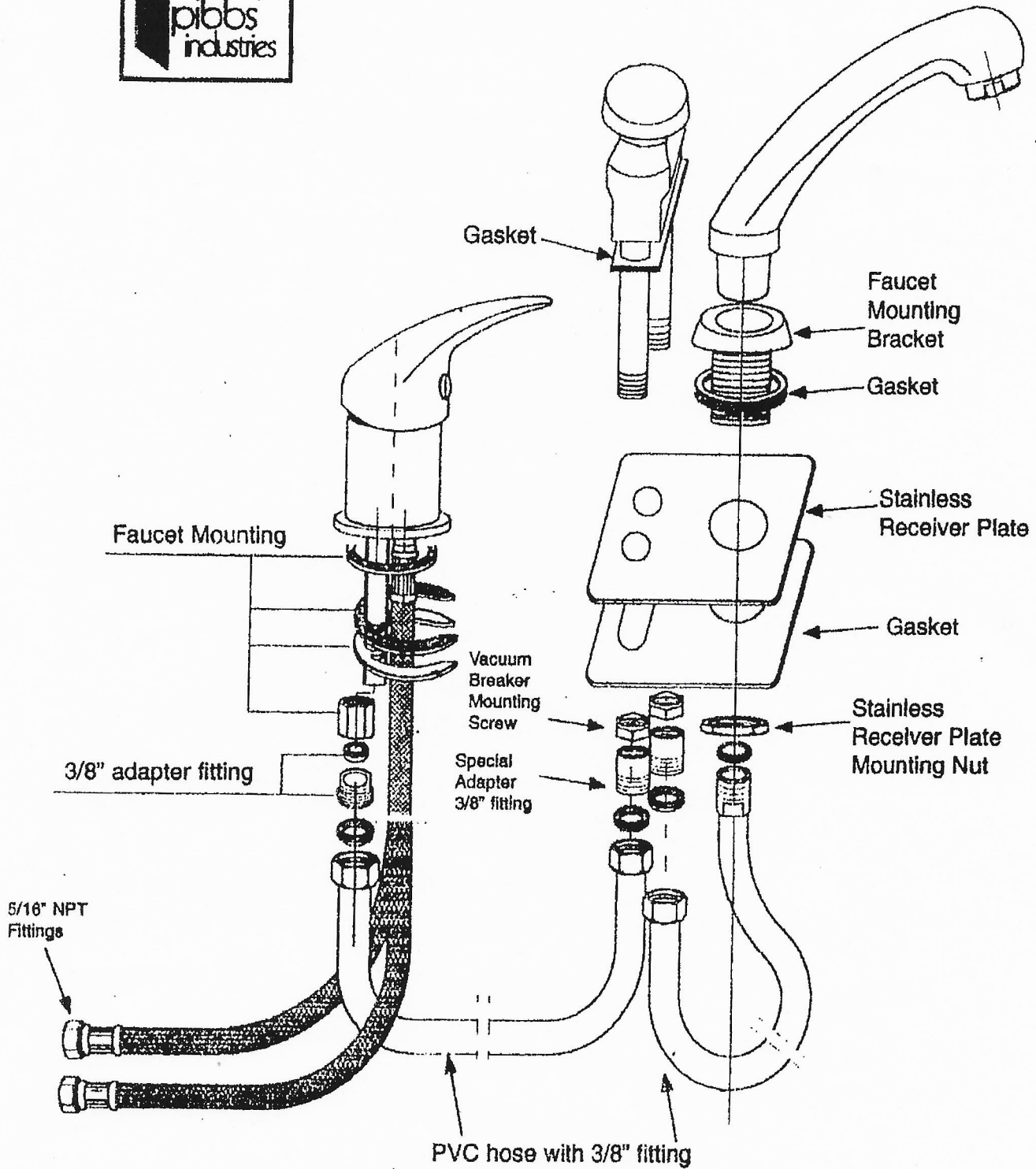


Bottom openings for plumbing.
Access and mounting point





565 Faucet Mounting with Optional Vacuum Breaker



NSF International
OFFICIAL LISTING

This is a Certification by NSF that these products conform to the requirements of NSF standard 61-Drinking Water Components-Health Effects

June 13, 2002

Saint-Gobain Ceramiques Avancees
Desmarquest
48, Rue Des Vignerons
94685 Vincennes, France
33 14 818 5183

Plant at: Courtenay Cedex, France

Mechanical Plumbing Device

Trade Designation

Cartridge Valves

Optima Series [1]

CR 38 F
OP 35 XYW
OP 40 XYZ

[1] X=flow option

F1 or F=restricted flow

O=free flow

ES=Spain

Y=screen option

SG=without acoustic screen

G=with acoustic screen

W=adjustment option

DI=Distributor lever

